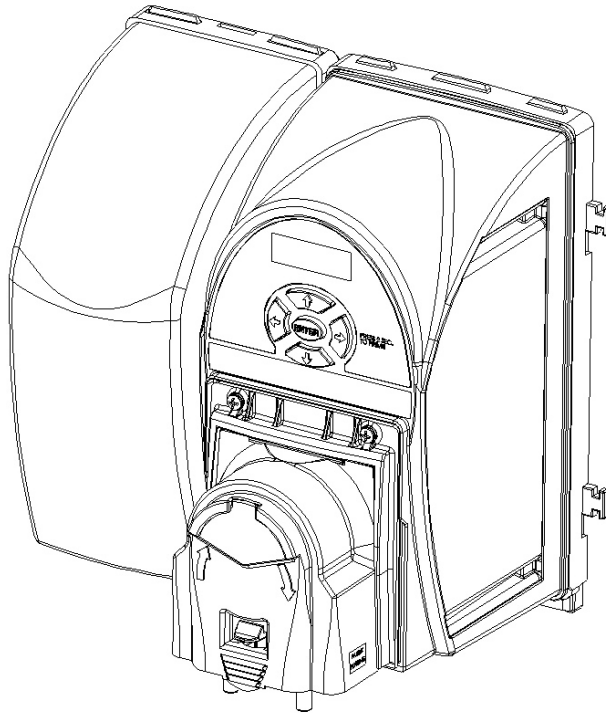


# Drain Chief Plus

## Drain Maintenance/Odor Control Chemical Dispensing



### Overview

---

The VIKING Drain Chief Plus is a digital chemical dispenser that is designed to deliver chemicals for both drain and odor control. The system will operate from wall or battery power.

### Warnings

---



Installation of Viking products must meet all applicable electrical codes and regulations established by national, city, county, parish, provincial or other agencies. It is possible that electrical codes and regulations require that a certified electrical contractor or engineer perform the electrical installation. For questions, contact a certified electrician.



All installations must conform to local plumbing codes and use approved backflow prevention devices. A pressure indicating tee is to be installed with existing faucets according to local plumbing codes in the state of Wisconsin and any other state that requires the use of a pressure indicating tee.



**ALWAYS WEAR PROTECTIVE CLOTHING AND EYEWEAR WHEN WORKING WITH CHEMICAL PRODUCTS.**

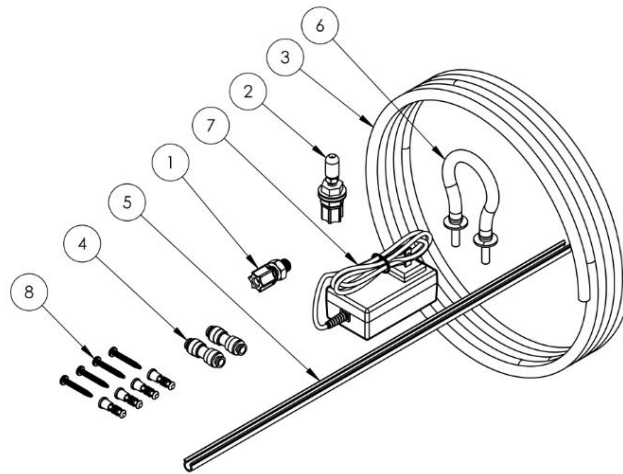
# Drain Chief Plus Models

Drain Chief Plus can be ordered with the following configurations:

- Drain or Odor Control
- AC wall power (115/230VAC) or Battery Power
- Three different squeeze tube choices

Supertube (PVC Squeeze Tube)  
 EPDM Squeeze Tube  
 Viton Squeeze Tube

## Packing Kit List

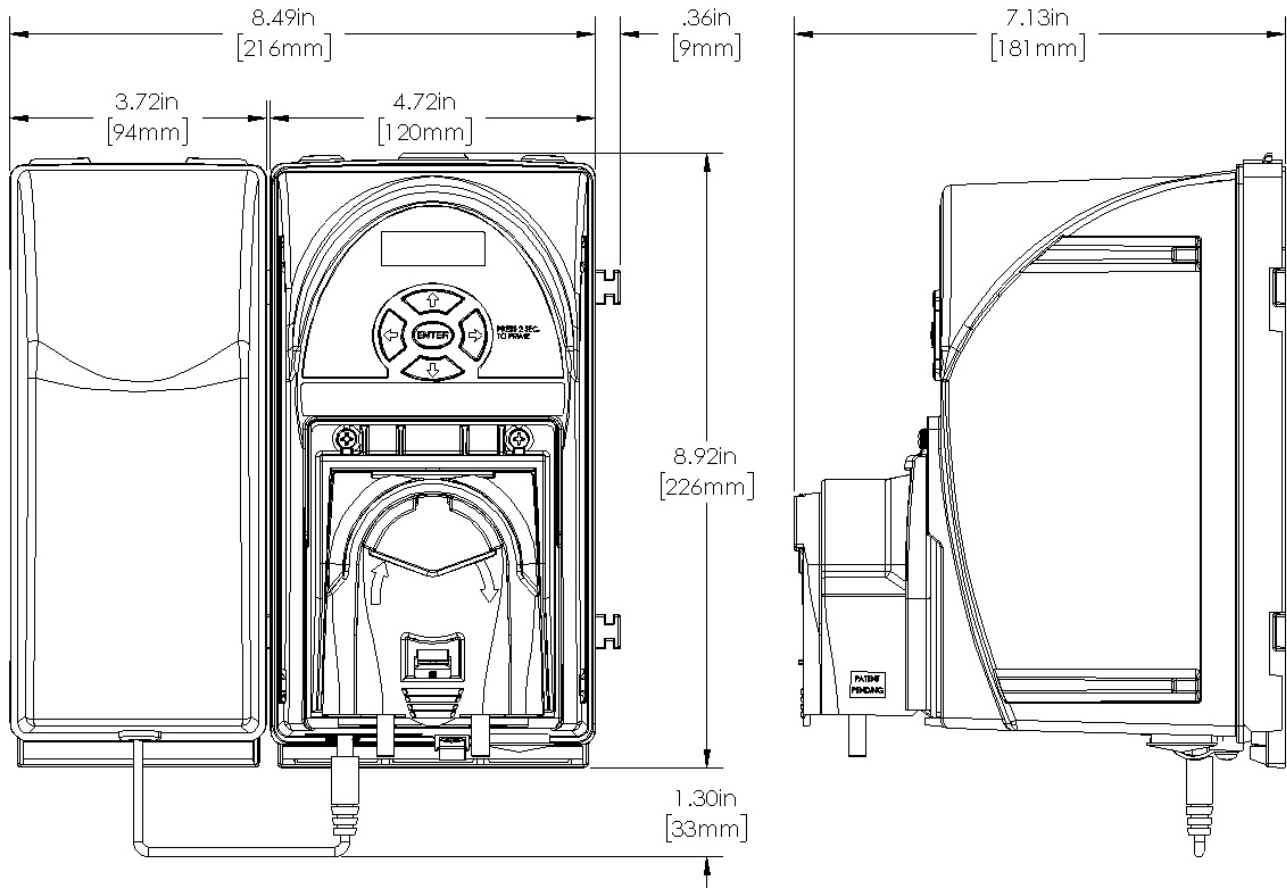


Installation and Accessory Parts for Drain Applications				
No	Part No.	Description	Drain	Odor Control
1	CHA 1/4X1/8 P01	Compression Fitting (Drain system)	1	-
2	VOA BRNOASY V65	Spray Nozzle (Deodorizing system)	-	1
3	CBA 1/4X15' 000	1/4" LDPE Tubing 15 feet	1	1
4	DEM 81.1821 000	1/4 x 1/4 QC Union Fitting	1	1
5	DEM813121_000	Tube Stiffener	1	1
6	DEM 81.1771 000	Squeeze Tube EPDM	1*	1*
	DEM 81.1775 000	Squeeze Tube Viton	1*	1*
	DEM 81.177. 100	Squeeze Tube PVC	1*	1*
7	CTBDCPUSPLG00	AC Adapter U.S.A. 120 Volt	1*	1*
	CTBDCPUNIVL000	AC Adapter International 120-240 Volt	1*	1*
8	CHADCPSCAN000	#8 Screw & Anchor Kit (4 pack)	1**	1**
* Specific squeeze tube and AC adapter are determined by model ordered.				
** Battery models are supplied with two anchor screw kits.				

# Operational Requirements

FOR INDOOR USE ONLY		
Main Power	12 VDC - 2.0A min from 8 x D-cell batteries or 115 VAC or 100-240 VAC wall adapters	
Motor/Solenoid Rating	12VDC – 2.9A max.	
Enclosure Material	ABS	
Shipping Wt. (AC)	2.3 kg	5.0 lbs
Shipping Wt. (Battery)	2.8 kg	6.1 lbs
Installed Wt. (AC)	1.3 kg	2.7 lbs
(w/ batteries) *	1.6 kg	3.4 lbs
* Batteries supplied by user or installer.		

# Overall Size



# Installation

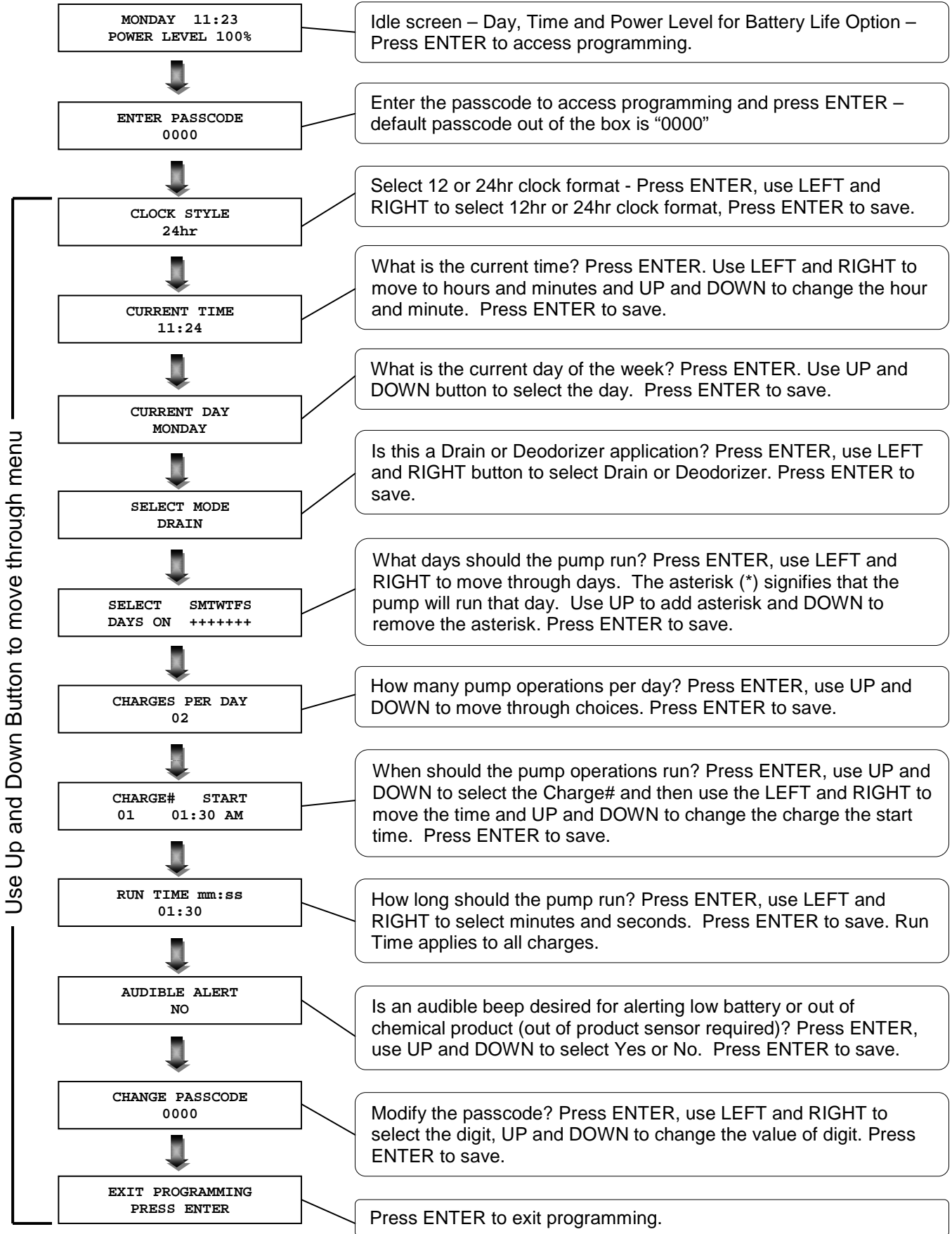
---



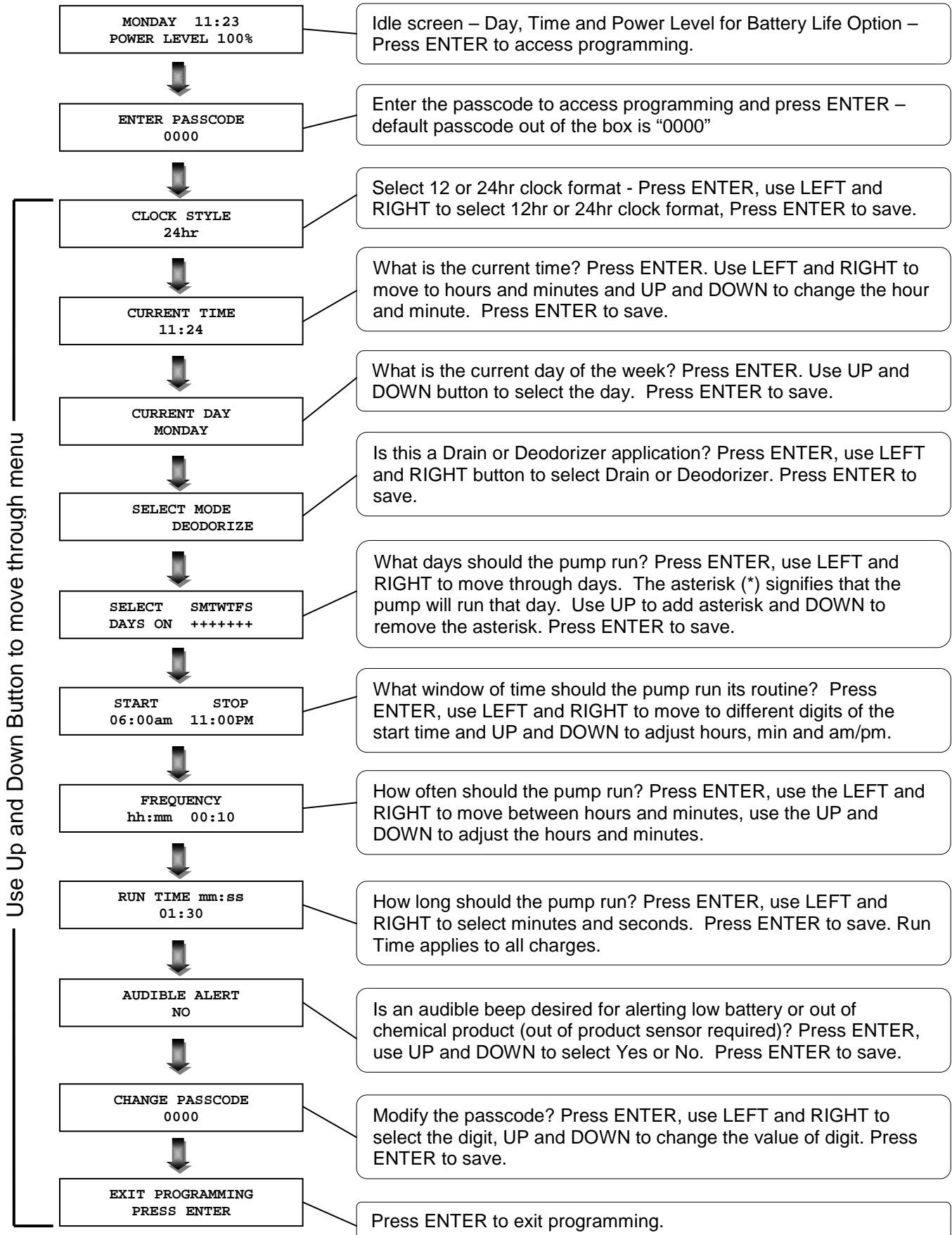
**WARNING: INSTALLATION OF VIKING PRODUCTS MUST MEET ALL APPLICABLE ELECTRICAL CODES AND REGULATIONS ESTABLISHED BY NATIONAL, CITY, COUNTY, PARISH, PROVINCIAL OR OTHER AGENCIES. IT IS POSSIBLE THAT ELECTRICAL CODES AND REGULATIONS REQUIRE THAT A CERTIFIED ELECTRICAL CONTRACTOR OR ENGINEER PERFORM THE ELECTRICAL INSTALLATION. FOR QUESTIONS, CONTACT A CERTIFIED ELECTRICIAN.**

1. Determine a suitable location to mount DCP. The following should be considered:
  - a. tubing going to and from the pump
  - b. chemical location
  - c. drain pipe injection point
  - d. Electrical wall outlet when using the plug in AC version.
2. Attach the mounting bracket (included) for the DCP using appropriate screws and wall anchors.
  - a. When using the battery operated version, mount the battery enclosure mounting bracket next to the DCP mounting bracket. The DCP and battery mounting brackets can be meshed together to create a single mounting bracket installation.
3. If using a battery version, install 8 “D” cell heavy duty batteries in the battery holder.
4. Mount the DCP pump and battery enclosures on the mounting bracket.
5. Install injection fitting (drain application) or spray nozzle (deodorizing application).
  - a. Drain Application: Install the ¼” compression fitting clamp to the desired drain pipe.
    - i. Note: Alternative saddle or pipe fittings can be used; DCP is setup to use ¼” LDPE tubing.
  - b. Deodorizing Application: Install the spray nozzle so that it will mist over the desired area to be treated.
6. Install the ¼” LDPE tubing from the chemical to the pump and from the pump to the drain pipe fitting or spray nozzle fitting.
  - a. Note: The DCP pump is setup with ¼” push on fittings for easy connection.
7. Apply power to the DCP by plugging the 115/230VAC wall power plug or the battery module to the round electrical power connector on the bottom of the DCP.
  - a. There is a plastic clip near the power connector to retain the power cable to secure the power line from coming disconnected.
8. Program the DCP (see programming section in this instruction manual).
9. Prime the pump.
  - a. Press any button one time to wake up the control.
  - b. With the display on, press and hold the right arrow button for 2 seconds to start prime.
  - c. Press again to stop prime.

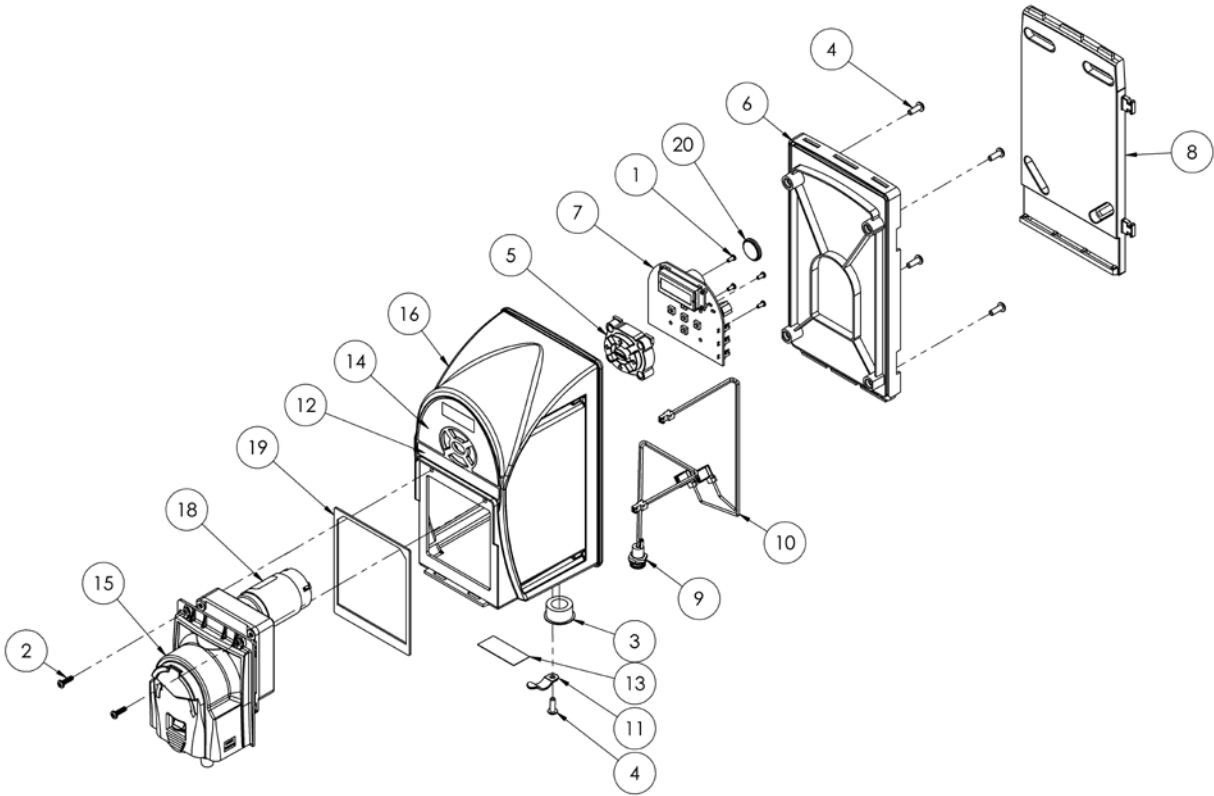
# Programming for Drain Application



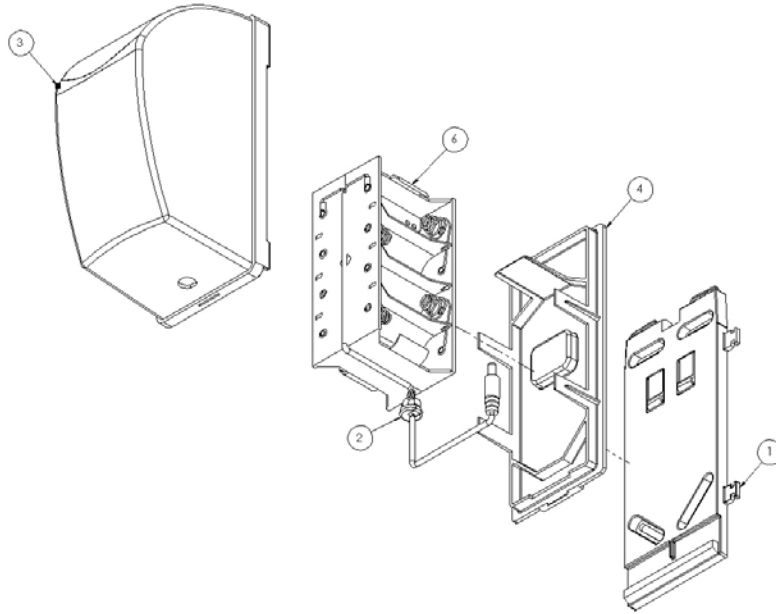
# Programming for Deodorizing Application



## Replacement Parts and Reference Information

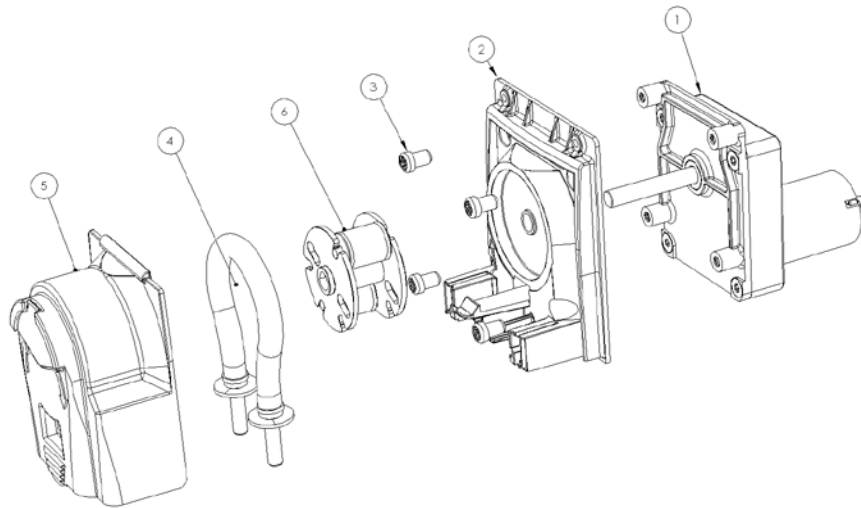


<b>Pump/Control Module Replacement Parts</b>			
<b>Item No.</b>	<b>Viking p/n</b>	<b>Description</b>	<b>QTY.</b>
1	CHA 4x1/4ZN 000	#4 x 1/4" Screw	4
2	CHA 632X1/2 000	#6-32 x 1/2 Stainless Steel Screw	2
3	CHD WHLPLG 000	7/8" Hole Plug	1
4	CHA 8X1/2SS 000	#8 x 1/2" Stainless Steel Screw	5
5	CHA KYPAD5B 000	5-Button Rubber Keypad	1
6	MOD PMPBDYR 000	Pump Housing - Rear	1
7	BOD DCPCTBD 000	DCP Control Board	1
8	MOD PMPMTGP 000	Pump Mounting Bracket	1
9	CWL POWERIN 000	Power Inlet, DC	1
10	CWL MOTPRCB 000	Power Cable, Motor	1
11	CHA SPRCLIP 000	Retainer Spring Clip - Nylon	1
12	CXS DCPLWRL 000	Label, Banner	1
13	CXS DCPRTGL 000	Rating Label	1
14	CXS DCPPRIM 000	Upper Label - Control	1
15	SEE TABLE	Pump Assembly (without motor)	1
16	VOD PMPBODY INS	Pump Housing - Front	1
17	CWA TIESML 000	Tie Wrap (not shown)	3
18	CMP 8059MOT 000	Gear motor	1
19	CHA DCPGSKT 000	Gasket	1
20	CLM 3VBATT 000	Battery	1



<b>Battery Enclosure Replacement Parts</b>			
<b>ITEM NO.</b>	<b>Viking p/n</b>	<b>DESCRIPTION</b>	<b>QTY.</b>
1	MOD BBOXMTP 000	Battery Box Mounting Bracket	1
2	CHW DCSTNRL 000	Cable Strain Relief	1
3	MOD ENCBBOX 000	Battery Housing - Front	1
4	MOD BBOXBKP 000	Battery Housing - Rear	1
5	CWA TIESML 000	Cable Tie	2
6	VWD DCPHARN 000	Battery Holder w/DC Plug - 8 D cell	1
(batteries not included)			





Pump Replacement Parts			
Item No.	Viking p/n	Description	QTY.
1	CMP 8059MOT 000	Gear motor	1
2	DEC 81.1282 000	Pump Base	1
3	CHA 1032SCR 000	#10-32 x 1/2" Stainless Steel Screw	1
4a	DEM 81.1771 000	Squeeze Tube Assembly - EPDM	1
4b	DEM 81.1775 000	Squeeze Tube Assembly - Viton	1
4c	DEM 81.177. 100	Squeeze Tube Assembly - Supertube	1
5	DEC 81.1741 000	Pump Cover	2
6	DEC 81.1723 000	2-Roller Block Assembly - Fixed	1

## Warranty

### Merchandise Returns

*No Merchandise will be Returned for Credit Without VIKING'S Written Permission. Returned Merchandise Authorization Number is Required in Advance of Return.*

### Product Warranty

VIKING products are warranted against defective material and workmanship under normal use and service for one year from the date of manufacture. This limited warranty does not apply to any products that have a normal life shorter than one year or failure and damage caused by chemicals, corrosion, physical abuse, or misapplication. Rubber and synthetic rubber parts such as "o"-rings, diaphragms, PVC tubing, and gaskets are considered expendable and are not covered under warranty. This warranty is extended only to the original buyer of VIKING products. If products are altered or repaired without prior approval of VIKING, this warranty is void.

Defective units or parts should be returned to the factory with transportation prepaid. If inspection shows them to be defective, they will be repaired or replaced without charge, F.O.B. factory. VIKING assumes no liability for damages. Return merchandise authorization number must be granted in advance of returned units for repair or replacement (See "Merchandise Returns" above).